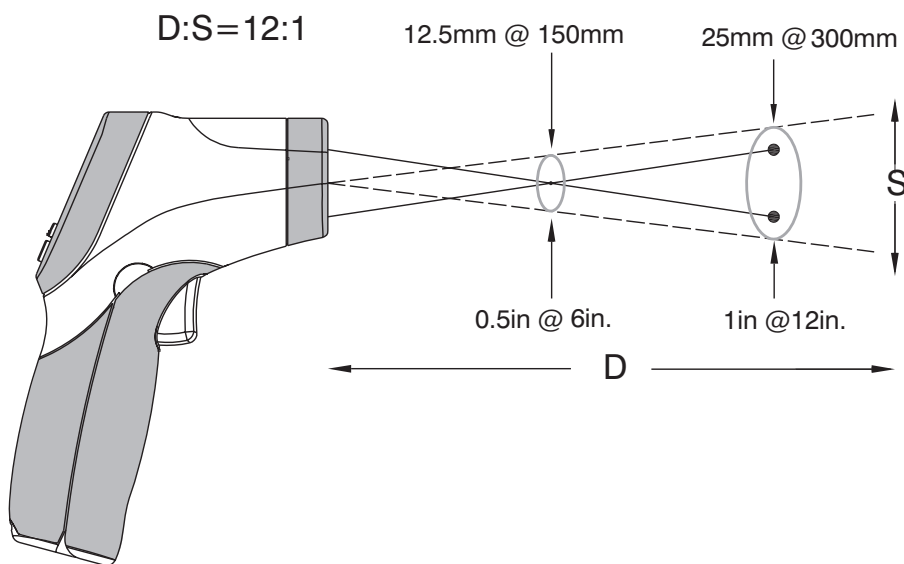


LASER[®]

Infrared Thermometer -50°C < 550°C (-58°F < +1022°F)



**NEW
PRODUCT**



**RoHS
Compliant**



Description

An infrared thermometer with twin spot laser distance to spot size 12:1, automatic data hold and trigger lock for continuous use

Packaging

Colour box

Additional Information

Application: automotive | bodyshop | engineering
air conditioning | plant general maintenance.

- RoHS compliant • CE certificated
- Accuracy+ or - 1.0% • Supplied with 1x 9v battery



5 March 2012

5 018341 054182 >