

Safety Warnings - please read

- Wear eye and hand protection when using this tool kit.
- Always carefully clean the tool components after each use.
- Keep the tool components safe and tidy in the supplied case.
- Do not use the kit for any purpose other than for which it is designed.



Safety First. Be Protected.

Our products are designed to be used correctly and with care for the purpose for which they are intended. No liability is accepted by the Tool Connection for incorrect use of any of our products, and the Tool Connection cannot be held responsible for any damage to personnel, property or equipment when using the tools. Incorrect use will also invalidate the warranty.

If applicable, the applications database and any instructional information provided has been designed to offer general guidance for a particular tool's use and while all attention is given to the accuracy of the data no project should be attempted without referring first to the manufacturer's technical documentation (workshop or instruction manual) or the use of a recognised authority such as Autodata.

It is our policy to continually improve our products and thus we reserve the right to alter specifications and components without prior notice. It is the responsibility of the user to ensure the suitability of the tools and information prior to their use.



7114_Instructions



www.lasertools.co.uk

Guarantee



Distributed by The Tool Connection Ltd
Kineton Road, Southam, Warwickshire CV47 0DR
T +44 (0) 1926 815000 F +44 (0) 1926 815888
info@toolconnection.co.uk www.toolconnection.co.uk

If this product fails through faulty materials or workmanship, contact our service department direct on: **+44 (0) 1926 818186**. Normal wear and tear are excluded as are consumable items and abuse.

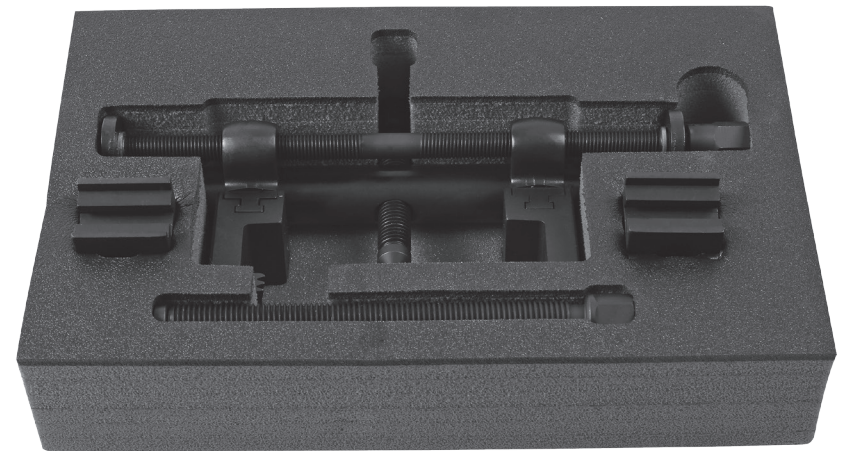
www.lasertools.co.uk

Part No. 7114

LASER[®]

Ribbed Drive Pulley Puller

Instructions



www.lasertools.co.uk

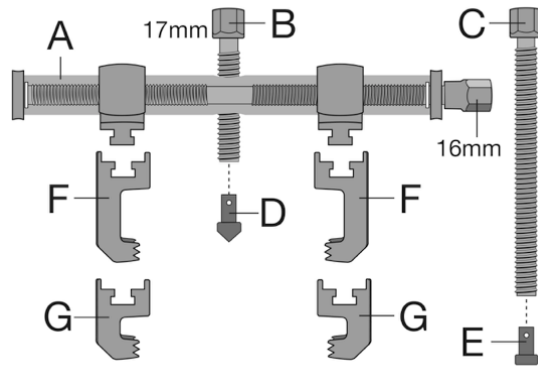
Introduction

The 7114 is a universal puller kit designed for ribbed pulleys that drive serpentine belts. The adjustable puller body is designed to maintain symmetry when adjusting, both clamps moving equally when the adjuster is turned.

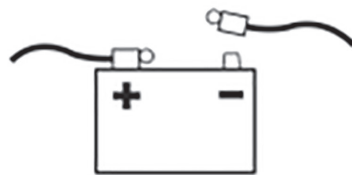
Two sizes of centre force screw are provided, for deep or shallow pulleys. Similarly, two sizes of slide-on clamp are provided. Two designs of end pin adaptor are included, one with a flat face and the other with a pointed face for use on shafts with a central hole or depression.

Therefore with the adjustment on the main puller body and the different lengths of centre force screws and slide-on clamps, the puller will fit many different sizes and configurations of pulley.

Components



A	Adjustable puller body
B	Centre force screw (shallow pulleys)
C	Centre force screw (deep pulleys)
D	Pin adaptor (pointed)
E	Pin adaptor (flat end)
F	Slide-on clamp arms (long)
G	Slide-on clamp arms (short)

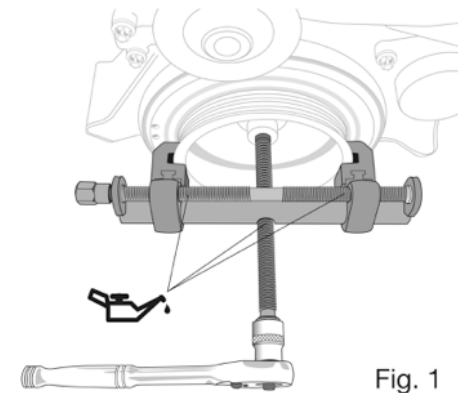


Instructions

After the fastener that secures the pulley to the centre shaft has been removed, present the puller to the pulley and determine the size of the centre force screw and slide on clamps that will be most suitable. Fit the clamps and centre force screw to the puller.

Determine which end pin adaptor is suitable then fit this to the centre force screw; the adaptor is a simple push-fit into the end of the force screw.

Lubricate both the threads of the main adjusting shaft and the centre force screw with black molybdenum grease.



Refer to Figure 1:

Using a 16mm spanner or socket (or a 3/8" driver), adjust the two slide-on clamps to fit snugly against the grooves of the pulley.

Once the puller is securely mounted on the pulley, tighten the centre force screw **by hand** until the end pin adaptor is tight against the pulley shaft.

Ensure that the puller and centre force screw are centred properly to the pulley and centre pulley shaft. Note: tightening the puller when it is mounted off-centre can cause damage to both the puller and the pulley.

Steadily tighten the centre force screw with a 17mm spanner or socket (or a 3/8" driver). Continue until the pulley is drawn off the centre shaft.

Precautions

Wear hand and eye protection when using this tool.

Both the threads of the main adjusting shaft and the centre force screw **must** be lubricated with black molybdenum grease. The guarantee will be invalidated if the tool is used in a dry (unlubricated) condition.

Do not use impact tools with this tool.

Tightening the puller when it is mounted off-centre can cause damage to both the puller and the pulley.